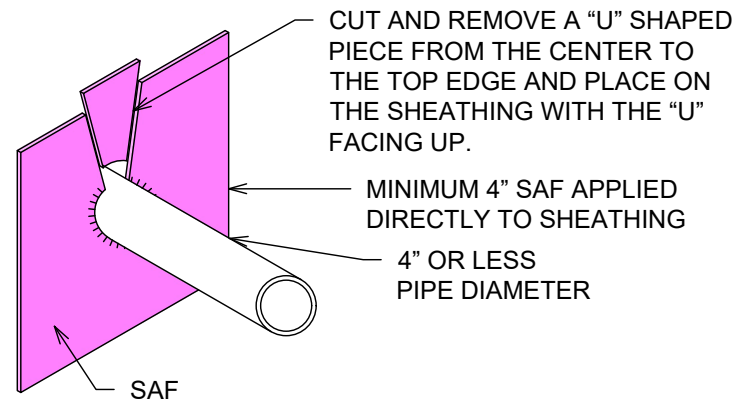
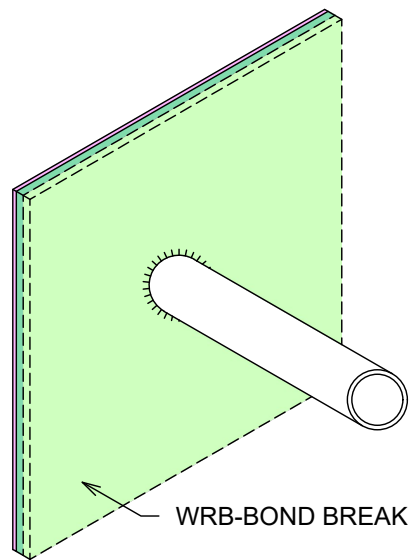


STEP 1:

1. STEP 1 SAF SHALL EXTEND A MINIMUM 2 INCHES ABOVE AND 3 INCHES BELOW THE PENETRATING ELEMENT.
2. WIDTH FROM SIDE OF PENETRATING ELEMENT SHALL BE 1-3/4 T 4 INCHES.



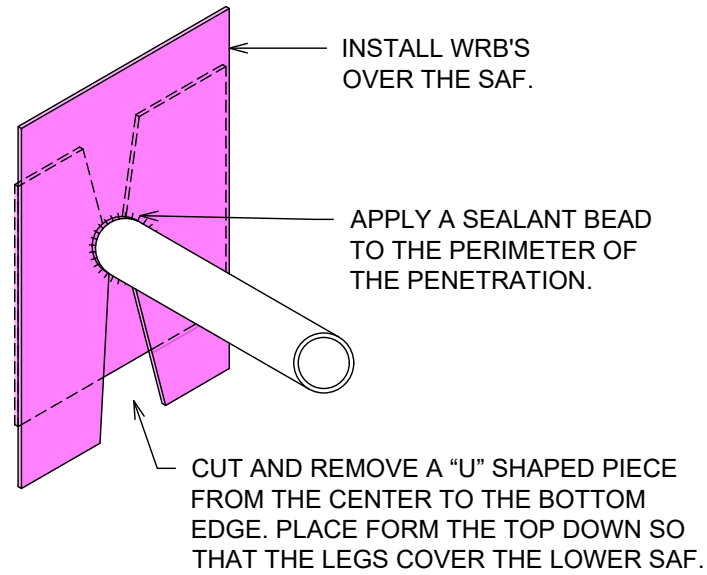
STEP 1



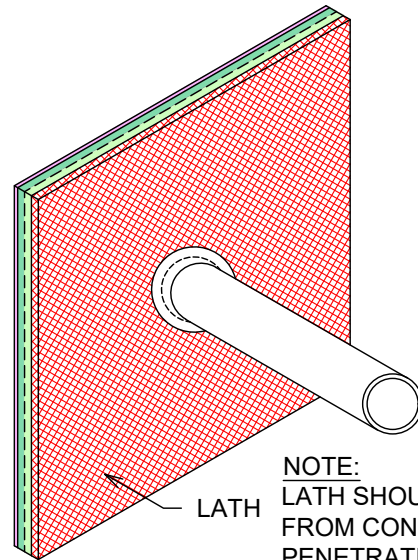
STEP 4

STEP 2:

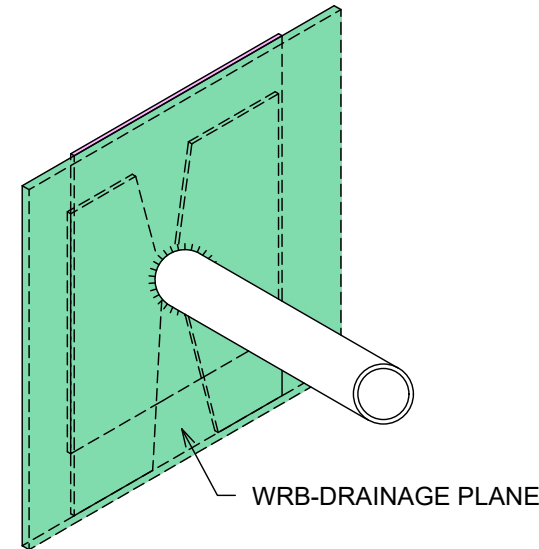
1. STEP 2 SAF SHALL EXTEND A MINIMUM 4 INCHES ABOVE AND 2 INCHES BELOW THE PENETRATING ELEMENT.
2. WIDTH FROM SIDE OF PENETRATING ELEMENT SHALL BE 1-3/4 T 4 INCHES.



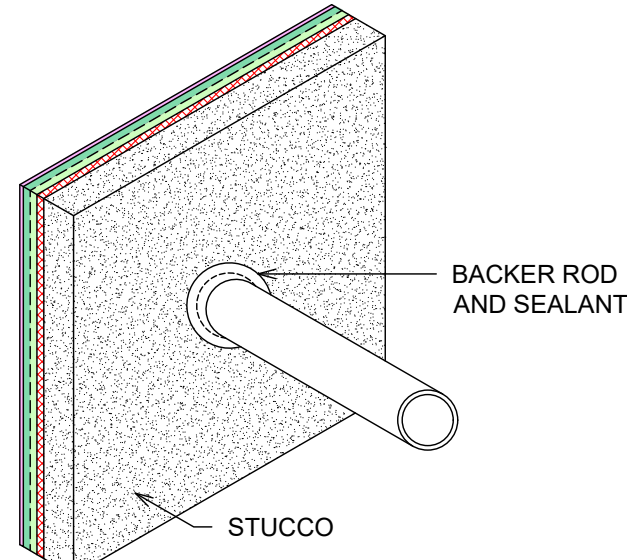
STEP 2



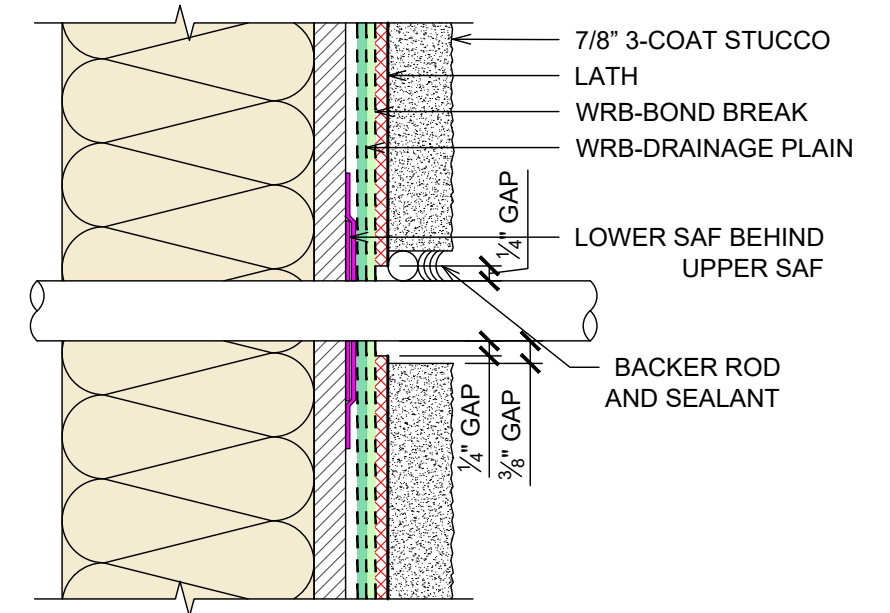
STEP 5



STEP 3



STEP 6



NOTE:
LATH SHOULD BE CUT BACK FROM CONTACT WITH THE PENETRATING ELEMENT 3/8" TO PROTECT THE ENDS FROM THE CORROSION.

NOTES:

1. "U", "V" (AS SHOWN) OR A STRAIGHT CUT WILL WORK EQUALLY EFFECTIVELY.
2. WHERE FLEXIBLE SAF IS USED, SIMPLY CUT OUT A HOLE TO ACCOMMODATE THE PENETRATING ELEMENT AND APPLY DIRECTLY TO THE SUBSTRATE. STEP 2 MAY BE OMITTED.
3. BEST PRACTICE: INSTALL A FLASHING DONUT OVER THE PENETRATION DIRECTLY TO THE SUBSTRATE AND SKIP TO STEP 3.

LEGEND

	SHEATHING, 'OSB', PLYWOOD, DENSGLASS
	SELF ADHERED FLASHING
	PLASTER ACCESSORY
	DRAINAGE PLANE WATER RESISTANT BARRIER (WRB)
	BOND BREAK WATER RESISTANT BARRIER (WRB)
	SELF FURRING (SF) LATH
	SCRATCH COAT
	STUCCO
	SILL SEAL
	FOAM ORNAMENTALS
	GALVANIZED METAL FLASHING

PENETRATION FLASHING SEQUENCE



Florida Lath & Plaster Bureau (FLAPB) details are for illustration of construction methods. They are to be used as guidelines by the design and/or construction team. You should consult with your design and/or construction specialists for specific construction requirements. Some modification may be required for specific project conditions or to meet local building code. FLAPB makes no representation as to the suitability of any detail for specific use at any location on any project. A qualified, licensed architect or engineer must be consulted to specify the detail for any specific use at any location on a project.