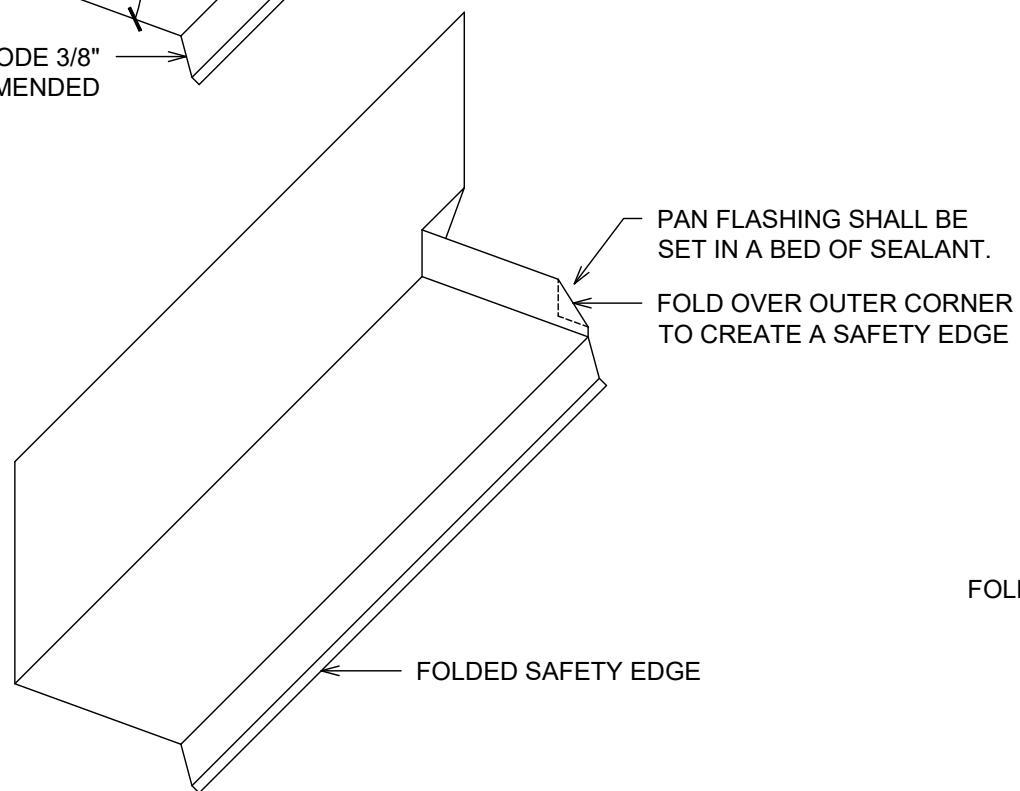
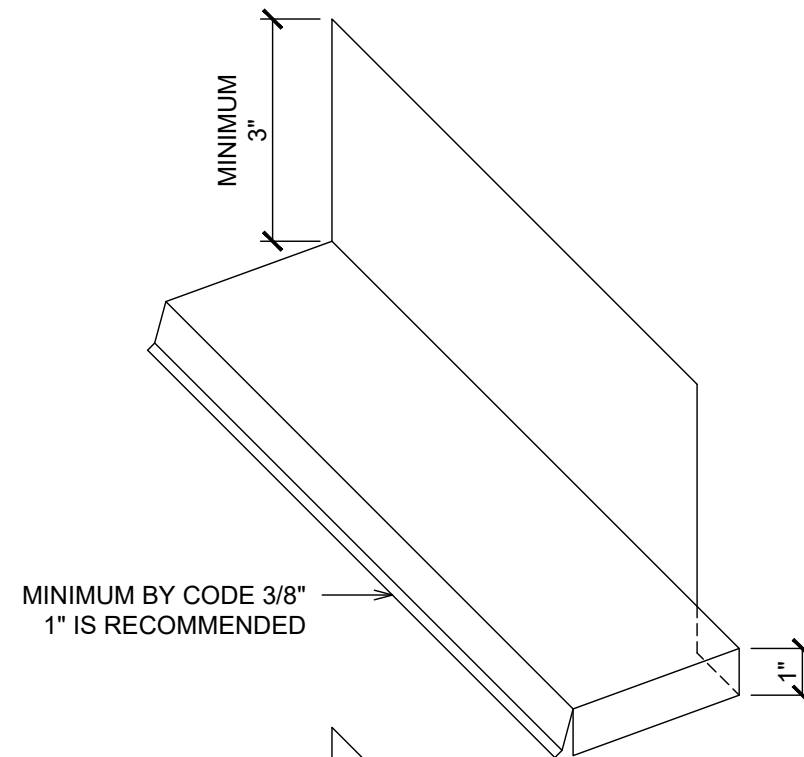


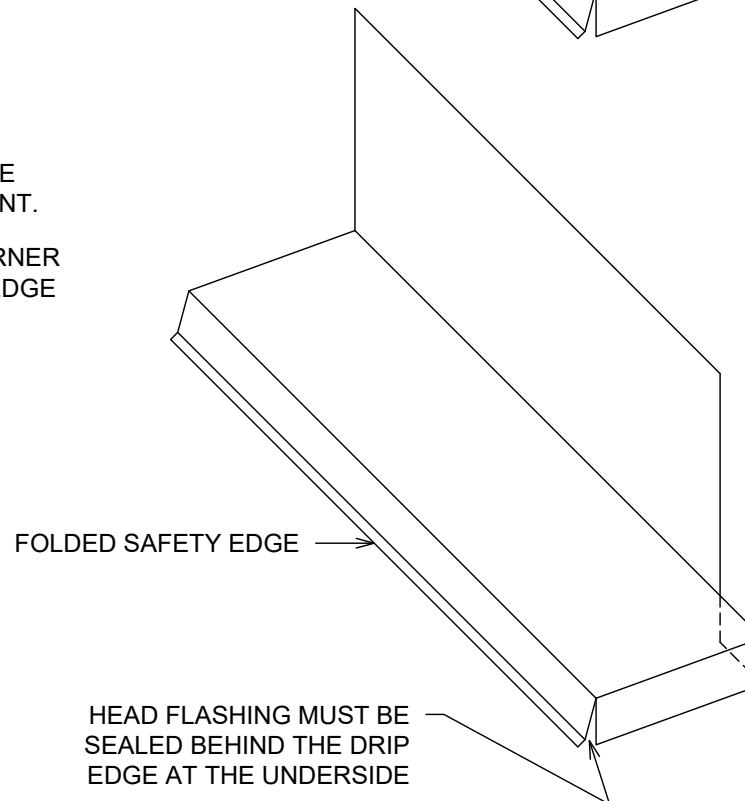
MINIMUM BY CODE 3/8"
1" IS RECOMMENDED



PAN FLASHING



MINIMUM BY CODE 3/8"
1" IS RECOMMENDED



HEAD FLASHING

PAN OR HEAD FLASHING FABRICATION DETAIL

LEGEND

- SHEATHING, OSB, PLYWOOD, DENSGLASS
- SELF ADHERED FLASHING
- PLASTER ACCESSORY
- DRAINAGE PLANE WATER RESISTANT BARRIER (WRB)
- BOND BREAK WATER RESISTANT BARRIER (WRB)
- SELF FURRING (SF) LATH
- SCRATCH COAT
- STUCCO
- SILL SEAL
- FOAM ORNAMENTALS
- GALVANIZED METAL FLASHING



Florida Lath & Plaster Bureau (FLAPB) details are for illustration of construction methods. They are to be used as guidelines by the design and/or construction team. You should consult with your design and/or construction specialists for specific construction requirements. Some modification may be required for specific project conditions or to meet local building code. FLAPB makes no representation as to the suitability of any detail for specific use at any location on any project. A qualified, licensed architect or engineer must be consulted to specify the detail for any specific use at any location on a project.